



491 W. Garfield Ave., Coldwater, MI 49036  
Phone: 517-279-2135  
Web/live chat: [www.bds-suspension.com](http://www.bds-suspension.com)  
E-mail: [tech@bds-suspension.com](mailto:tech@bds-suspension.com)

Part#: **124403**  
Product: **Front Track Bar**  
Application: **2007-2013 Jeep Wrangler (JK)**

---

**READ AND UNDERSTAND ALL INSTRUCTIONS AND WARNINGS PRIOR TO INSTALLATION OF SYSTEM AND OPERATION OF VEHICLE.**

---

### PARTS LIST

Part #	Qty	Description
01958	1	Track Bar
01396	1	Track Bar End
36270	1	Jam Nut
3534BK	4	Bushings
123	2	Sleeves

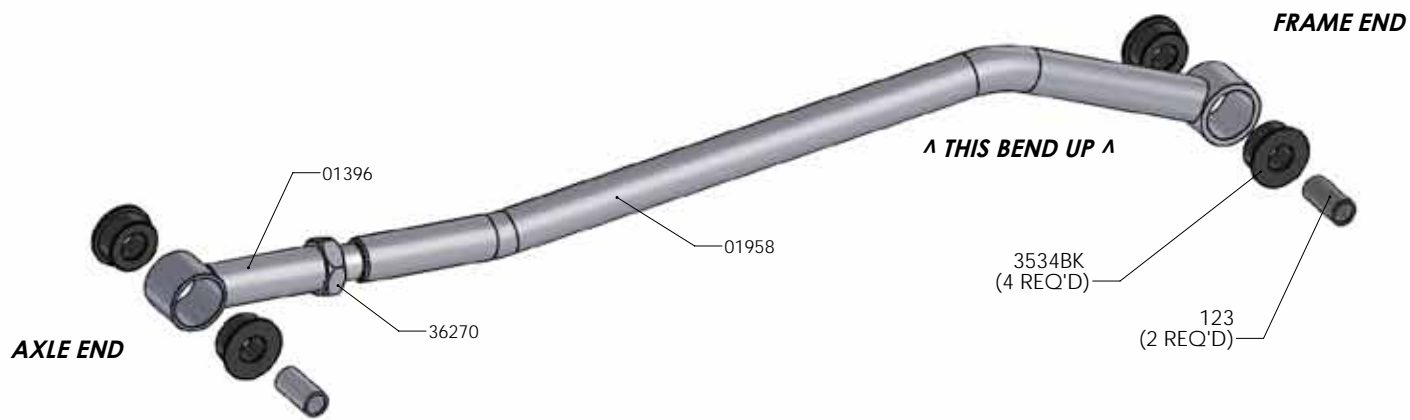


### NOTES

- Use extra caution not to damage the 14mm bolt fine threads.
- The track bar is designed to work with 2 or more inches of lift. Aftermarket extended bump stops (or lower bump stop spacers) are required to prevent the differential housing from contacting the track bar. If you are installing this with a BDS kit there will be no issues, if you are unsure contact the manufacturer of your lift.

### INSTALLATION INSTRUCTIONS

1. Park vehicle on clean flat level ground. Block the rear wheels for safety. A hoist or jack is not needed for this installation.
2. Remove the lower track bolt at the axle first. It may be necessary to turn the wheel to gain clearance between the drag link and bracket for bolt removal. Remove track bar bolt at the frame next. Retain all hardware.
3. Adjust length of new track bar to desired length.
4. Lightly grease and install bushings and sleeve(s).
5. Install new track bar with OE hardware. It may be necessary to turn the wheel to get the mounting holes to align.
6. Straighten steering wheel and check to make sure the axle is centered.
7. Tighten 14mm hardware to 125 ft-lbs. Securely lock off the jam nut on the new track bar.
8. Recheck all fasteners and grease the new fittings after 500 miles and at regularly scheduled maintenance intervals.



---

## NOTICE TO DEALER/INSTALLER

These instructions, the warning card, and included decals must be given to the owner of this BDS Suspension product.

---

For questions, technical support and warranty issues relating to this BDS Suspension product, please contact your distributor/installer before contacting BDS Suspension directly.

**Sold/Installed by:**